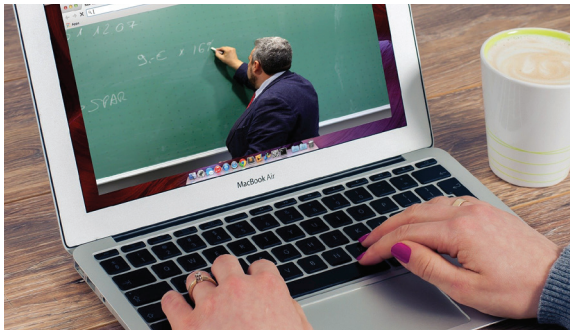


Advanced Classroom Lecture Capture

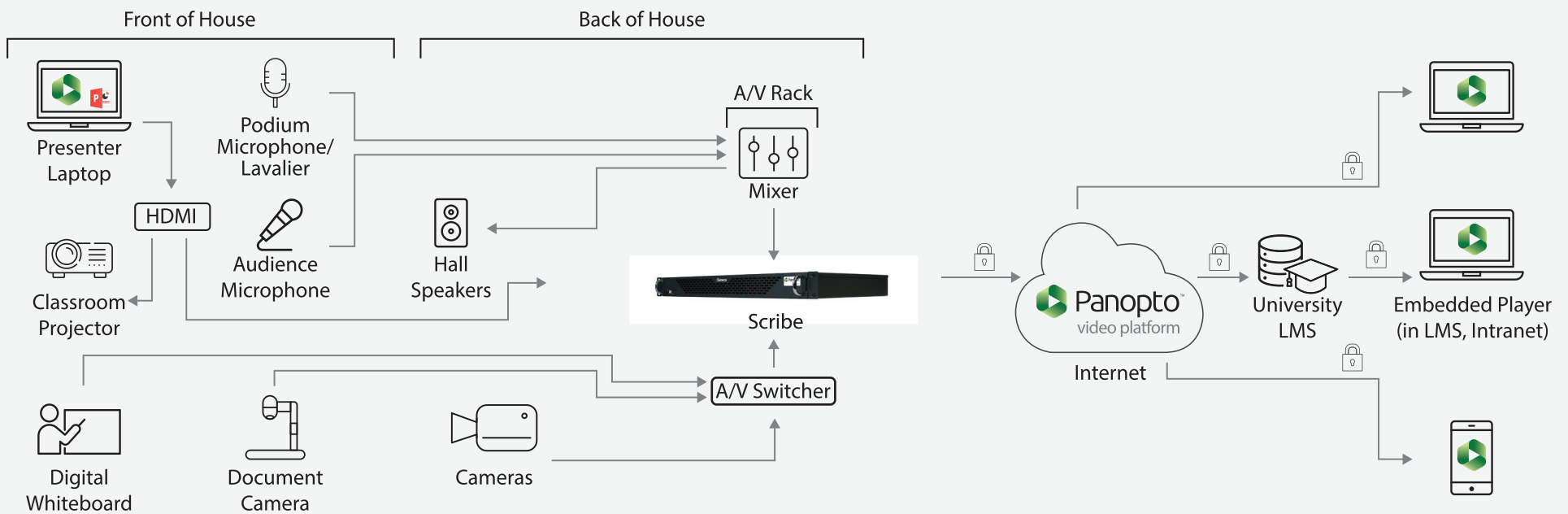


Universities are increasingly using live and on-demand video to teach their students both on-campus and away from campus. A high quality, easy-to-use video system is essential for professors to continue to deliver the best learning experience possible, especially considering the complex A/V requirements. This is particularly important in advanced education scenarios where the professor may present slides, use a whiteboard and conduct a demonstration all in the same session. Panopto's integrated solutions are designed with flexibility in mind, allowing for minimal cable runs and interchangeable hardware options to suit any budget or layout. The Seneca Scribe hardware solutions smoothly integrate with the Panopto Lecture capture software application to provide optimized system resources and balanced drivers. Tested and certified with Panopto, the Scribe appliance is designed for use in distance learning and lecture capture.

Create

Securely Store

View Live or On-Demand



Your Complete Classroom Video Solution

Seneca has developed hardware that seamlessly integrates with the Panopto platform. Designed and developed by Seneca's Advanced Engineering Team, the Scribe was created in the world-class Seneca testing facilities. From inception, Seneca systems are tested in real world environments to guarantee maximum reliability in mission-critical installations. With Panopto as your video management system, here are the key features for the Seneca Scribe hardware.



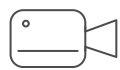
The **Seneca Scribe** is an exclusive video capture offering co-developed with Panopto. With optimized system resources, balanced drivers and flexible capture options that include Dual or Quad HDMI or HD/3G SDI, or Dual DVI + Dual XLR analog audio capture (balanced and unbalanced inputs). This solution guarantees smooth integration and reliability you can depend on that can be installed in AV racks, podiums and desktops.

Panopto Is the Easy-To-Use Platform for All Your Video Content



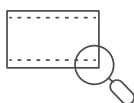
Record

Easy-to-use software for Windows, Mac and iOS. Record anything from a simple screencast to a multi-camera event.



Webcast

Livestream your presentation at the click of a button. Webcast to ten people across town or 10,000 around the world.



Search

Find any word spoken or shown on-screen in any video in your library. Panopto's search is the industry's best.



Manage

Manage and securely share videos across your organization. Centralize all of your video assets in a secure video library.



Upload

Panopto automatically converts your existing video files for playback on any device and makes them searchable.



Stream

Efficiently deliver video across your network and over the internet to viewers worldwide.

Visit senecadata.com/industry-solutions/broadcast/video-management/ to get started.